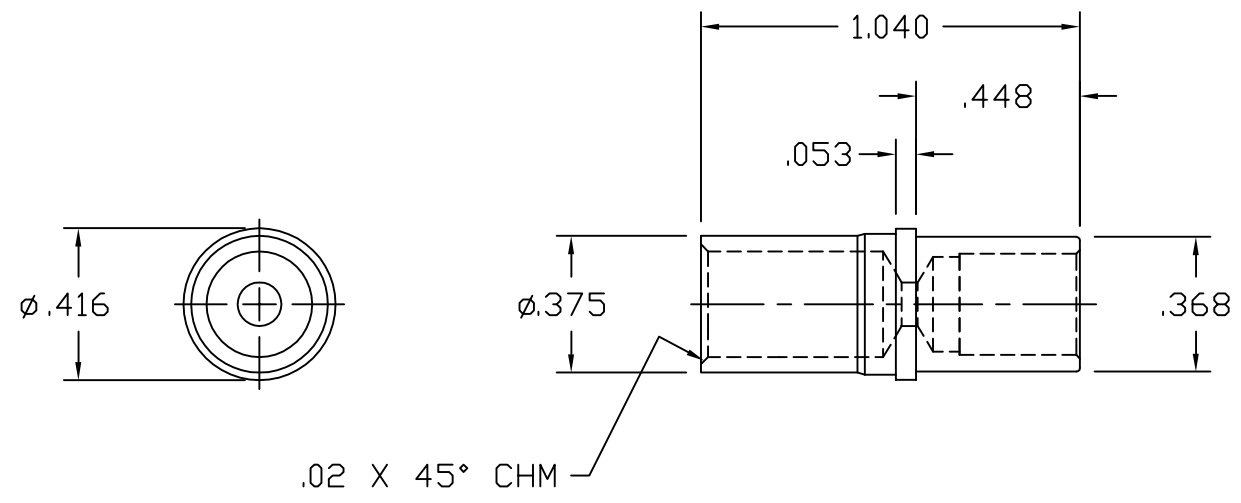
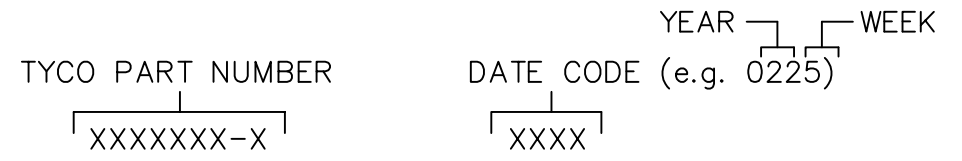


This drawing involves proprietary design rights of Tyco Electronics Corporation, and all design, manufacture, reproduction, use and sale rights regarding the same are expressly reserved. It is submitted for a specific purpose and the recipient by accepting this drawing, assumes custody and control and agrees to take reasonable precautions; (a) that this drawing will not be copied and reproduced, in whole or in part, or its contents revealed in any manner, or to any person except to meet the purpose for which it was delivered and (b) that any special features peculiar to this design will not be incorporated in other projects without the expressed written permission of Tyco Electronics Corporation.

REVISIONS			
EC	REV	DESCRIPTION	DATE
CPR	A	NEW RELEASE	12/16/05



- 4. FINISH: SILVER PLATED.
- 3. MATERIAL: TELLURIUM COPPER ALLOY.
- 2. ITEMS PROVIDED TO THIS SPECIFICATION TO BE PERMANENTLY IDENTIFIED PER THE FOLLOWING IDENTIFIER:



1. PART NUMBER CHANGES AND OR DESIGN CHANGES AFFECTING ITEM INTERCHANGEABILITY REQUIRE PRIOR TYCO APPROVAL AND AUTHORIZATION BY REVISION TO THIS DRAWING.

NOTES: UNLESS OTHERWISE SPECIFIED

INCH OR INCH (MM) THIRD ANGLE PROJECTION UNLESS OTHERWISE SPECIFIED DIMENSIONS ARE IN INCHES (METRIC) TOLERANCES ANGLES ± .5° DECIMALS .XXX ± .010 (.25) .XX ± .02 (.3)	DRAWN RHM/M. ALIM	DATE 12/16/05	tyco Tyco Electronics Corporation Electronics Menlo Park, Ca 94025		ELCON TITLE CONTACT, SOCKET, SIZE 1/4" WITH #4 AWG CRIMP BARREL, SINGLE CROWN PN 6648434-1	
	CHECKED		SIZE	DWG NUMBER		
	APPROVED		D. CHAU	12/16/05	B	C = 6648434
	APPROVED		M. ALIM	12/16/05		REV. A
ACAD FILE NUMBER C6648434A.DWG			DWG SCALE 2=1		SH 1 OF 1	